



V-AK47-RK INSTALLATION MANUAL

COPYRIGHT

Copyright © 2023 by VirTra Inc. All Rights Reserved. No part of this publication may be reproduced, transcribed, stored in a retrieval system, translated into any language, or transmitted in any form or by any means, electronic, mechanical, magnetic, optical, chemical, photocopying, manual, or otherwise, without prior written permission from VirTra Inc.

DISCLAIMER

This manual is intended to be used as a practical and informative guide only and is not to be used as legal authority for any purpose. Specific legal authority comes exclusively from statute and case law. VirTra Inc. shall not be liable for any incidental or consequential damage resulting from the performance or use of this product. In the interest of continued product improvement, we reserve the right to revise, modify or alter the contents of this manual at any time without notice and without obligation to notify any person of such revision or changes.

VirTra disclaims liability for any injury to persons or to property, or other damages of any nature whatsoever, whether special, indirect, consequential or compensatory, directly or indirectly resulting from the publication, use of, or reliance on this manual. VirTra also makes no guaranty or warranty as to the accuracy or completeness of any information published herein.

CAUTIONS AND WARNINGS

Read, understand and follow all warnings, training materials, and safety instructions for the V-AK47-RK.

CAUTION: CLASS 1M LASER, PRODUCT, LASER RADIATION. **DO NOT** stare into beam or view directly with optical instruments.

WARNING: V-AK47-RK kits are for training purposes only.

The installation procedures described below are to be performed by trained personnel. For repair and maintenance procedures, please refer to the V-AK47-RK Installation Manual. Any procedures not covered in either the installation or the repair/maintenance user manuals are considered Factory Maintenance & Repair, and it is required that the item is sent to VirTra for repair.

TRADEMARKS

VirTra, the VirTra logo are either registered trademarks or trademarks of VirTra in the United States and/or other countries. Product names used in this manual are ascribed to their respective owners and acknowledged.

Table of Contents

I.	RECOIL KIT COMPONENTS	4
A.	RECOIL KIT ASSEMBLY	4
II.	OPERATION INSTRUCTIONS.....	5
A.	RECOIL KIT INSTALLATION	5
B.	BEFORE USE/LUBRICATION.....	10
C.	MAGAZINE	10
D.	DISASSEMBLY	11
III.	CONTACT VIRTRA	13

I. RECOIL KIT COMPONENTS

A. RECOIL KIT ASSEMBLY

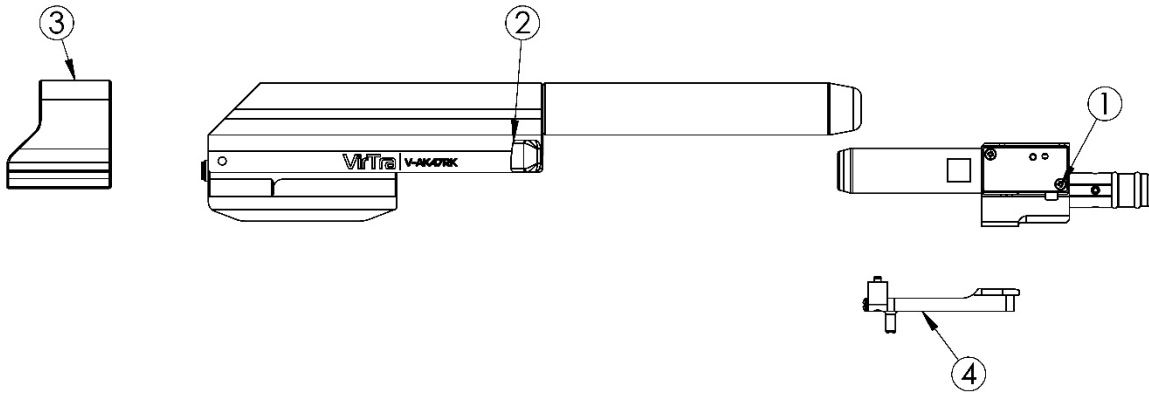


Figure 1: Recoil Kit Assembly

ITEM NO	DESCRIPTION
1	Charge Chamber
2	Bolt Carrier
3	Recoil Buffer
4	Tail Piece

Table 1: Recoil Kit Components

II. OPERATION INSTRUCTIONS

A. RECOIL KIT INSTALLATION

CAUTION: Before proceeding, make sure the firearm is unloaded and safe.

Field strip the firearm according to the manufacturer's instructions. Place the recoil spring assembly and factory bolt carrier group in a safe spot. Install the recoil kit into the AK-47 as shown below.

Note: This recoil Kit only fits "AKM" Style weapons. **The V-AK47 kits are custom matched and ARE NOT INTERCHANGEABLE.**

- Insert the Charge Chamber (Figure 1, #1) into the barrel of the weapon as shown in Figure 2. Ensure that the charge chamber is fully inserted into the chamber of the weapon and seated against the breach face of the barrel.



Figure 2: Charge Chamber Installation

- Flip the weapon over and install the tailpiece (Figure 1, #4) into the weapon. There are grooves in the charge chamber that the tailpiece will slide into. This is shown in Figure 3 and Figure 4. Ensure that the tailpiece is fully seated and pushed all the way forward before proceeding.



Figure 3: Tailpiece Installation 1



Figure 4: Tailpiece Fully Inserted

- Install the bolt carrier (Figure 1, #2) into the weapon as shown in Figure 5 and Figure 6. Be sure to slide the bolt carrier onto the grooves in the receiver.



Figure 5: Bolt Carrier Installation 1



Figure 6: Bolt Carrier Fully Installed

- After the bolt carrier is installed, tighten the two adjustment screws on the tailpiece a small amount. They should be tightened in small increments until the bolt carrier runs smoothly in the gun.



Figure 7: Tailpiece Adjustment

- Install the recoil buffer (Figure 1, #3) onto the stock recoil spring assembly as shown in Figure 8.



Figure 8: Recoil Spring and Buffer

- Install the recoil spring and buffer assembly into the weapon as shown in Figure 9.



Figure 9: Recoil spring and Buffer Installation

WARNING: Failure to install the Recoil Buffer may result in damage to the Bolt Carrier Assembly as seen in Figure 10.



Figure 10: Damage to the rear of Bolt Carrier Assembly due to missing Recoil Buffer

- Install the dust cover, and the weapon is ready for lubrication and use.



Figure 11: Finished Installation

- If the gun does not shoot correctly during the first test, the tailpiece adjustment screws might need to be adjusted. The tightness of these screws may need to be played around with until the correct threshold is reached for semi and full-auto modes to work correctly.

B. BEFORE USE/LUBRICATION

Lubricate the weapon following normal manufacturer instructions. VirTra's recommended cleaning/lubrication product is Lucas Oil or Slip 2000.

C. MAGAZINE

If using a High-Pressure Air weapon kit:

Simply connect/disconnect the quick release on the air tank tube to the nipple on the magazine as needed.

To connect the magazine, ensure the shut-off valve on the air tube is fully slid backward. Connect the quick release to the magazine nipple, then slide the shut-off valve forward.

To disconnect the magazine, make sure to slide the shut-off valve fully backward again. After doing so, disconnect the quick release.

If using a CO2 weapon kit:

The CO2 magazine is refillable via the VirTra CO2 Refill Station and the table clamp refill nozzle. For the refill station, place the CO2 magazine into the corresponding guide block and insert into the station. For the table clamp nozzle, push the magazine onto the nozzle until the magazine is full.

Do Not store pressurized CO2 magazines overnight. Make sure to expel any gas at the end of the day by following this procedure:

- Fire the weapon until there is not enough pressure to cycle the slide.
- Take the magazine out and insert a depressurization tool.
- Wait 30 seconds to allow any frozen CO2 to thaw and insert the depressurization tool again.

D. DISASSEMBLY

Follow the steps outlined in 'Recoil Kit Installation' in reverse to remove the VirTra Recoil Kit and install factory components.

WARNING: When removing the Charger Chamber, **Do Not** pry on, or put any pressure on, the circuit board or cover. Doing so may result in damage to the board and render the recoil kit un-useable. See Figure 12 and 13 for where NOT to pry. See Figure 14 for an acceptable spot to pry against metal.



Figure 12: DO NOT PRY AT THIS LOCATION

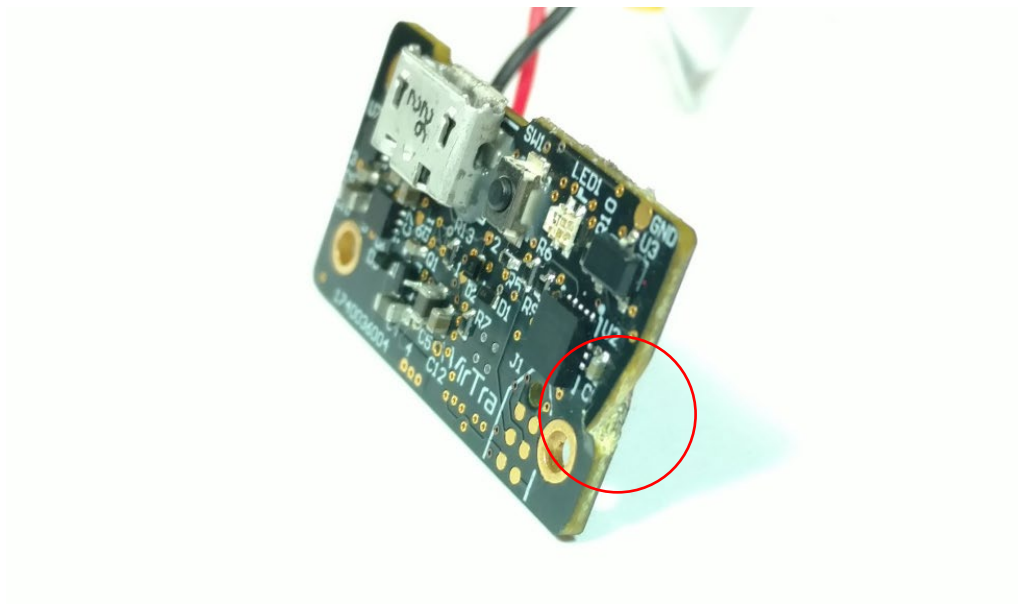


Figure 13: Damaged Board due to prying.



Figure 14: Approved spot to pry on metal.

III. CONTACT VIRTRA

For any questions or additional help with any part of this manual, please contact VirTra via the information below.

VirTra Service Department

VirTra

295 E. Corporate Pl
Chandler, AZ 85225 USA

Office: (480) 508-5977

Email: service@virtra.com

