



V-UMP9-RK INSTALLATION MANUAL

COPYRIGHT

Copyright © 2022 by VirTra Inc. All Rights Reserved. No part of this publication may be reproduced, transcribed, stored in a retrieval system, translated into any language, or transmitted in any form or by any means, electronic, mechanical, magnetic, optical, chemical, photocopying, manual, or otherwise, without prior written permission from VirTra Inc.

DISCLAIMER

VirTra Inc. shall not be liable for any incidental or consequential damage resulting from the performance or use of this product. This company makes no representations or warranties regarding the contents of this manual.

Information in this manual has been carefully checked for reliability; however, no guarantee is given as to the correctness of the contents. In the interest of continued product improvement, this company reserves the right to revise the manual or include changes in the specifications of the product described within it at any time without notice and without obligation to notify any person of such revision or changes. The information contained in this manual is provided for general use by the customers of the product.

CAUTIONS AND WARNINGS

Read, understand, and follow all warnings, training materials, and safety instructions for the V-UMP9.

CAUTION: CLASS 1M LASER, PRODUCT, LASER RADIATION. DO NOT stare into beam or view directly with optical instruments.

WARNING: V-UMP9 kits are for training purposes only.

The installation procedures described below are to be performed by trained personnel. For repair and maintenance procedures, please refer to the V-UMP9-RK repair/maintenance manual. Any procedures not covered in either the installation or the repair/maintenance user manuals are considered Factory Maintenance & Repair and it is required that the item be sent to VirTra for repair.

TRADEMARKS

VirTra, the VirTra logo are either registered trademarks or trademarks of VirTra in the United States and/or other countries. Product names used in this manual are ascribed to their respective owners and acknowledged.

TABLE OF CONTENTS

I. RECOIL KIT COMPONENTS.....4

II. OPERATION INSTRUCTIONS5

 A. UMP EJECTOR LEVER REMOVAL5

 B. RECOIL KIT INSTALLATION.....8

 C. BEFORE USE/LUBRICATION.....11

 D. MAGAZINE.....11

 E. DISASSEMBLY11

III. CONTACT VIRTRA.....12

I. RECOIL KIT COMPONENTS

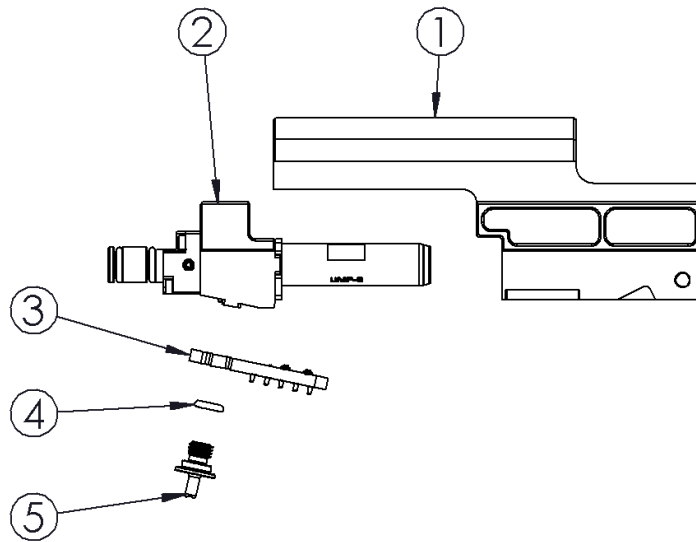


Figure 1: Recoil Kit Assembly

ITEM NO.	DESCRIPTION
1	Bolt Carrier
2	Charge Chamber Assembly
3	Retaining Plate
4	Nipple O-Ring, -008
5	Charge Chamber Nipple

Table 1: Recoil Kit Components

II. OPERATION INSTRUCTIONS

A. UMP EJECTOR LEVER REMOVAL

CAUTION: Before proceeding, make sure the firearm is unloaded and safe.

Set the fire mode selector into the safe position and remove the magazine. Verify the firearm is unloaded and that the chamber is clear. Fold the stock to the side then field strip the firearm according to the manufacturer's instructions.

The VirTra Recoil Kit cannot be inserted into the UMP until the ejector lever is removed. The ejector lever is hooked onto the barrel; therefore, the barrel must be partially removed from the UMP then re-installed.

To remove the ejector lever from the UMP:

- Remove the UMP Barrel Roll Pin from the UMP by tapping it out with a 7/32" or 6 mm punch and a gunsmith's mallet.



Figure 2, Remove UMP Barrel Roll Pin.

- Slide the barrel with the ejector lever out of the trunnion and into the UMP receiver until the ejector lever can be removed.

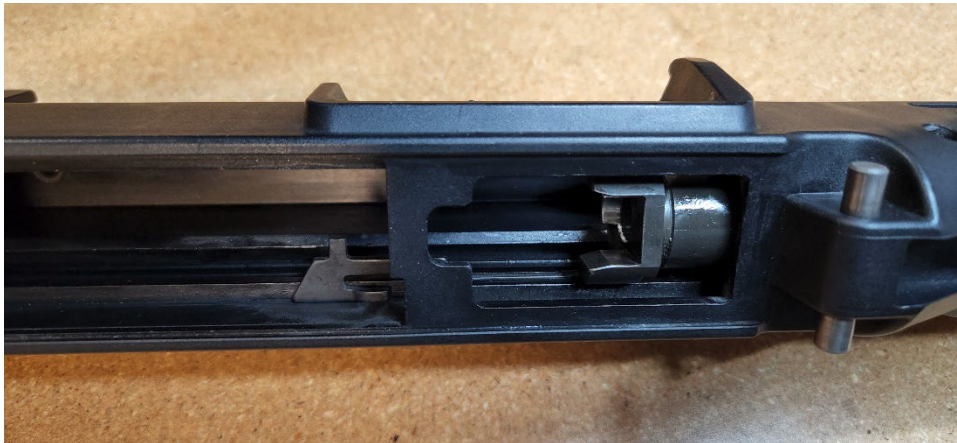


Figure 3, Slide barrel out of trunnion.

- Remove the ejector lever and store for later use.



Figure 4, Remove ejector lever.

- Slide the barrel back into the trunnion. The UMP barrel can only be inserted into the trunnion in the correct orientation; do not force the barrel into the trunnion.

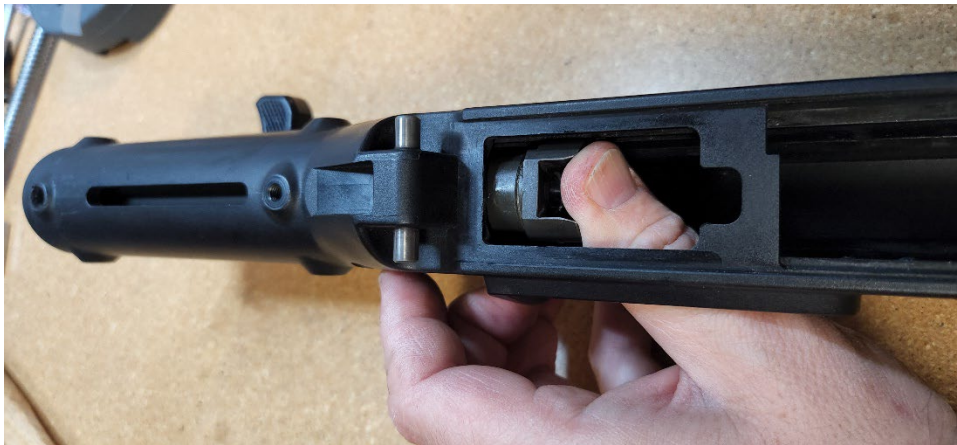


Figure 5, Slide barrel back into trunnion.

- Verify the hole in the receiver and slot in the barrel are aligned.



Figure 6, Align hole in receiver with slot in barrel.

- Insert the UMP Barrel Roll Pin into the aligned holes. Use the punch and mallet to tap the UMP Barrel Roll Pin back into position.



Figure 7, Re-insert UMP Barrel Roll Pin.



Figure 8, UMP Barrel Roll Pin properly installed.

B. RECOIL KIT INSTALLATION

To install the Recoil Kit into the H&K UMP firearm:

- If not already so, insert the Charge Chamber Assembly (Figure 1, #2) into the Bolt Carrier (Figure 1, #1) in the orientation shown in Figure 1 and Figure 9. The Nipple O-ring (Figure 1, #4) should remain on the Charge Chamber Nipple (Figure 1, #5) and the Charge Chamber Nipple should remain in the counter-bored hole in the Retaining Plate (Figure 1, #3). The Recoil-Kit is now ready to be installed (as shown in Figure 9).

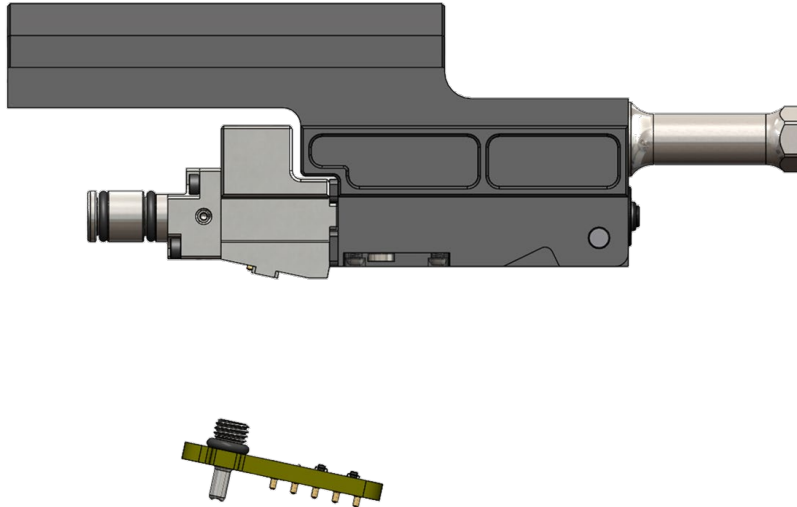


Figure 9, Recoil Kit ready to be installed.

- With the firearm upside down, slide the Charge Chamber Assembly with Bolt Carrier into the open end of the firearm action with the Charge Chamber pointed toward the barrel and the gold pogo-pins pointed up as shown in Figure 10. Slide the Recoil-Kit through the receiver and fully insert the Charge Chamber into the chamber of the weapon until seated firmly against the breach face of the barrel as shown in Figure 11.



Figure 10, Orientation of Recoil-Kit into firearm.

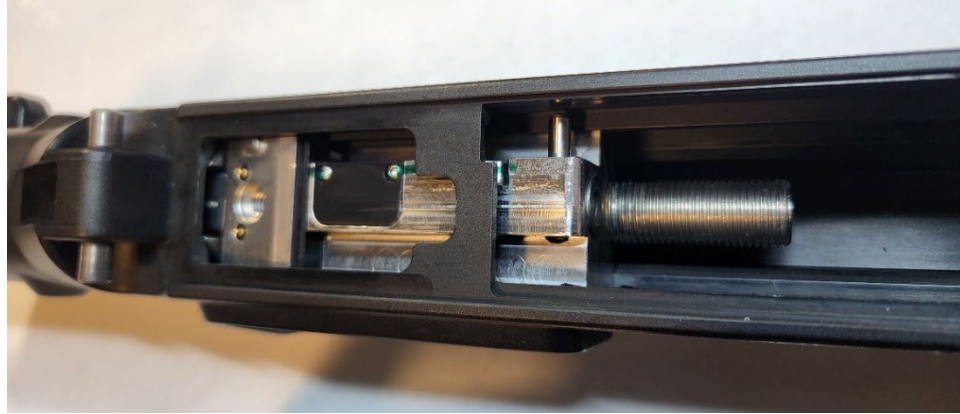


Figure 11, Charge Chamber seated against the breach face.

- Install the Retaining Plate (Figure 1, #3) on top of the Charge Chamber Assembly and screw in the Charge Chamber Nipple (Figure 1, #5) as shown in Figure 12.

Note: Take care not to overtighten the Charge Chamber Nipple. Be careful not to bend the gold pogo-pins on either the Charge Chamber Assembly or the Retaining Plate.



Figure 12, Install Retaining Plate by threading in Charge Chamber Nipple.

- Insert the Recoil Spring into the firearm just as you would when normally assembling the firearm. When fully inserted, the Recoil Spring should appear as in Figure 13.



Figure 13, Insert the Recoil Spring.

- Hook the lower receiver onto the hinge pin in the upper receiver as shown in Figure 14 then close the receivers locking in the Recoil Spring. Hold together the upper and lower receiver then install the takedown pin as shown in Figure 15.

Note: Before re-attaching lower receiver, verify Charge Chamber Assembly is seated firmly against the breach face of the barrel. When hooking the lower receiver onto the upper receiver hinge-pin, be very careful not to bend the gold pogo-pins on the Retaining Plate.



Figure 14, Re-attach Lower Receiver taking care not to bend gold pogo-pins.



Figure 15, Insert Take-Down pin.

C. BEFORE USE/LUBRICATION

Lubricate the weapon following normal manufacturer instructions using approved Lubricant.

Approved Lubricants Include:

- FIREClean™ Advanced Gun Oil
- Hoppe's No. 9 Synthetic blend lubricating oil
- Lucas Oil Extreme Duty Gun Oil
- ALG Defense Go-Juice

See repair/maintenance manual for more specific instructions.

D. MAGAZINE

The CO2 magazine is refillable via the VirTra CO2 Refill Station and the table clamp refill nozzle. For the refill station, simply place the CO2 magazine into the corresponding guide block and insert into the station. For the table clamp nozzle, simply push the magazine onto the nozzle until the magazine is full.

Do not store pressurized CO2 magazines overnight. Make sure to expel any gas at the end of the day by following this procedure:

- Fire the weapon until there is not enough pressure to cycle the slide.
- Take the magazine out and insert a depressurization tool.
- Wait 30 seconds to allow any frozen CO2 to thaw and insert the depressurization tool again.

E. DISASSEMBLY

Follow the steps outlined in 'UMP Ejector Lever Removal' in reverse to remove the VirTra Recoil Kit and install factory components.

III. CONTACT VIRTRA

For any questions or additional help with any part of this manual, please contact VirTra via the information below.

VirTra Service Department



295 E. Corporate Place
Chandler, AZ 85225 USA

Office: 480.968.1488 ext. 8
Email: service@virtra.com