



# **V-MCX-RK INSTALLATION MANUAL**

## **COPYRIGHT**

No part of this publication may be reproduced, transcribed, stored in a retrieval system, translated into any language, or transmitted in any form or by any means, electronic, mechanical, magnetic, optical, chemical, photocopying, manual, or otherwise, without prior written permission from VirTra Inc. Product names used in this manual are ascribed to their respective owners and acknowledged.

VirTra, the VirTra logo are either registered trademarks or trademarks of VirTra in the United States and/or other countries. Product names used in this manual are ascribed to their respective owners and acknowledged.

## **DISCLAIMER**

This manual is intended to be used as a practical and informative guide only and is not to be used as legal authority for any purpose. Specific legal authority comes exclusively from statute and case law. VirTra Inc. shall not be liable for any incidental or consequential damage resulting from the performance or use of this product. In the interest of continued product improvement, we reserve the right to revise, modify or alter the contents of this manual at any time without notice and without obligation to notify any person of such revision or changes.

VirTra disclaims liability for any injury to persons or to property, or other damages of any nature whatsoever, whether special, indirect, consequential or compensatory, directly or indirectly resulting from the publication, use of, or reliance on this manual. VirTra also makes no guaranty or warranty as to the accuracy or completeness of any information published herein.

## **CAUTIONS AND WARNINGS**

Read, understand and follow all warnings, training materials, and safety instructions for the V-MCX-RK.

**CAUTION:** CLASS 1M LASER, PRODUCT, LASER RADIATION. DO NOT stare into beam or view directly with optical instruments.

**WARNING:** V-MCX Recoil Kits are for training purposes only.

The installation procedures described below are to be performed by trained personnel. For repair and maintenance procedures, please refer to the V-MCX-RK repair/maintenance manual. Any procedures not covered in either the installation or the repair/maintenance user manuals are considered Factory Maintenance & Repair and it is required that the item be sent to VirTra for repair.

**TABLE OF CONTENTS**

I. RECOIL KIT COMPONENTS.....4  
    A. RECOIL KIT ASSEMBLY .....4  
II. OPERATION INSTRUCTIONS .....5  
    A. BEFORE USE/LUBRICATION.....5  
    B. RECOIL KIT INSTALLATION.....5  
    C. MAGAZINE.....7  
    D. DISASSEMBLY .....8  
III. CONTACT VIRTRA.....9

# I. RECOIL KIT COMPONENTS

## A. RECOIL KIT ASSEMBLY

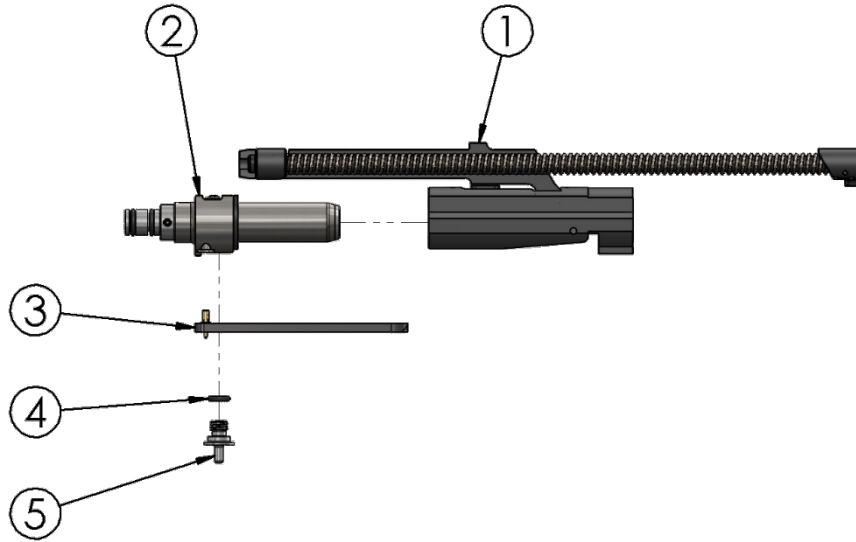


Figure 1, Recoil Kit Assembly.

ITEM NO.	DESCRIPTION
1	Bolt Carrier
2	Charge Chamber Assembly
3	Retaining Plate
4	Nipple O-Ring, -008
5	Charge Chamber Nipple

Table 1, Recoil Kit Components.

## II. OPERATION INSTRUCTIONS

### A. BEFORE USE/LUBRICATION

Lubricate the Bolt Carrier Assembly following normal manufacturer instructions but only using a VirTra approved Lubricant.

Approved Lubricants Include

- Slip 2000
- Lucas Oil Extreme Duty Gun Oil

See repair/maintenance manual for more specific instructions.

### B. RECOIL KIT INSTALLATION

**CAUTION: Before proceeding, make sure the firearm is unloaded and safe.** Remove the magazine then clear the chamber. Set the fire mode selector to the “safe” position. Verify that there are no loose rounds in the magazine well and that the chamber is clear.

- Open the receiver by pressing out the take down pin. With the receiver open, pull the charging handle rearward to begin sliding out the bolt carrier assembly. Leave the charging handle pulled but still in the upper receiver then remove the bolt carrier assembly and set aside (Figure 2).



Figure 2, Bolt Carrier Assembly removed from MCX.

- **Optional:** It may be helpful while installing the VirTra Recoil Kit to press out the pivot pin then separate the upper from the lower receiver.
- Slip the Charge Chamber Assembly (Figure 1, item #2) into the Bolt Carrier Assembly (Figure 1, item #1) as shown in Figure 3. Verify the orientation of the Charge Chamber Assembly relative to the Bolt Carrier; the threads for the Charge Chamber Nipple should point away from the recoil-springs.

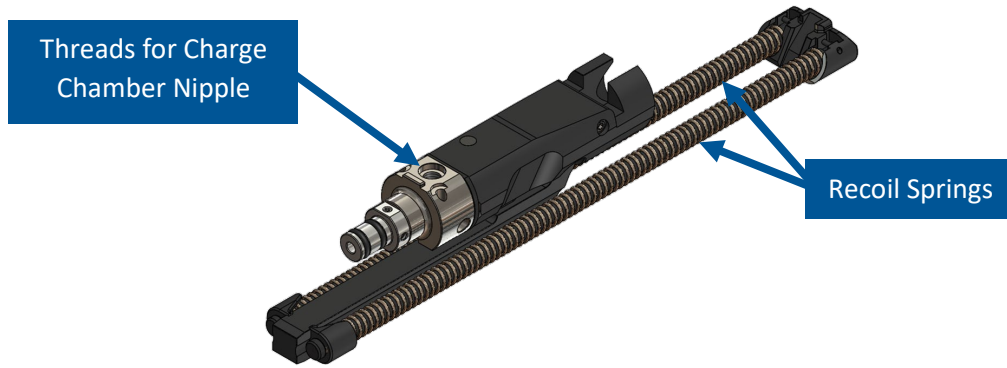


Figure 3, Slip Charge Chamber Assembly into Bolt Carrier Assembly.

- Slip the Charge Chamber with the Bolt Carrier Assemblies into the upper receiver and press the Charge Chamber assembly into the firearm chamber oriented as shown in Figure 4. Ensure the charge chamber is fully inserted into the chamber of the weapon and seated against the breach face of the barrel.



Figure 4, Recoil Kit inserted into MCX Upper Receiver.

- With the upper receiver upside down, install the retaining plate (Figure 1, item #3) on top of the Charge Chamber Assembly and screw on the Charge Chamber Nipple as shown in Figure 5. **Note:** make sure not to overtighten the nipple.



Figure 5, Install the retaining plate and screw in the Charge Chamber Nipple.

- Re-attach the upper and lower receivers then press in the takedown pin as shown in Figure 6.



Figure 6, Re-attach the upper and lower receivers.

### C. MAGAZINE

The CO2 magazine is refillable via the VirTra CO2 Refill Station and the table clamp refill nozzle. For the refill station, simply place the CO2 magazine into the corresponding guide block and insert into the station. For the table clamp nozzle, simply push the magazine onto the nozzle until the magazine is full.

**Do not** store pressurized CO2 magazines overnight. Make sure to expel any gas at the end of the day by following this procedure:

- Fire the weapon until there is not enough pressure to cycle the slide.
- Take the magazine out and insert a depressurization tool.

- Wait 30 seconds to allow any frozen CO2 to thaw and insert the depressurization tool again.

#### **D. DISASSEMBLY**

Follow the steps outlined in 'Recoil Kit Installation' in reverse to remove the VirTra Recoil Kit and install factory components.



### III. CONTACT VIRTRA

For any questions or additional help with any part of this manual, please contact VirTra via the information below.

VirTra Service Department



295 E. Corporate Pl  
Chandler, AZ 85225 USA

Office: 1.480.508.5977  
Email: [service@virtra.com](mailto:service@virtra.com)

