



V-P320-RK INSTALLATION MANUAL

COPYRIGHT / TRADEMARKS

Copyright © 2023 by VirTra Inc. All Rights Reserved. No part of this publication may be reproduced, transcribed, stored in a retrieval system, translated into any language, or transmitted in any form or by any means, electronic, mechanical, magnetic, optical, chemical, photocopying, manual, or otherwise, without prior written permission from VirTra Inc.

VirTra, the VirTra logo are either registered trademarks or trademarks of VirTra in the United States and/or other countries. Product names used in this manual are ascribed to their respective owners and acknowledged.

DISCLAIMER

This manual is intended to be used as a practical and informative guide only and is not to be used as legal authority for any purpose. Specific legal authority comes exclusively from statute and case law. VirTra Inc. shall not be liable for any incidental or consequential damage resulting from the performance or use of this product. In the interest of continued product improvement, we reserve the right to revise, modify or alter the contents of this manual at any time without notice and without obligation to notify any person of such revision or changes.

VirTra disclaims liability for any injury to persons or to property, or other damages of any nature whatsoever, whether special, indirect, consequential, or compensatory, directly or indirectly resulting from the publication, use of, or reliance on this manual. VirTra also makes no guaranty or warranty as to the accuracy or completeness of any information published herein.

CAUTIONS AND WARNINGS

Read, understand and follow all warnings, training materials, and safety instructions for the P320.

CAUTION: CLASS **3R** LASER, PRODUCT, LASER RADIATION. DO NOT stare into beam or view directly with optical instruments.

WARNING: P320 recoil kits are for training purposes only.

The installation procedures described below are to be performed by trained personnel. For repair and maintenance procedures, please refer to V-P320-RK Maintenance manual. Any procedures not covered in either the installation or the repair/maintenance user manuals are considered Factory Maintenance & Repair and it is required that the item be sent to VirTra for repair.

TABLE OF CONTENTS

I. RECOIL KIT COMPONENTS.....4
 A. RECOIL KIT ASSEMBLY4
II. OPERATION INSTRUCTIONS5
 A. RECOIL KIT INSTALLATION.....5
 B. BEFORE USE/LUBRICATION.....5
 C. MAGAZINE.....6
 D. DISASSEMBLY6
III. CONTACT VIRTRA.....7

I. RECOIL KIT COMPONENTS

A. RECOIL KIT ASSEMBLY

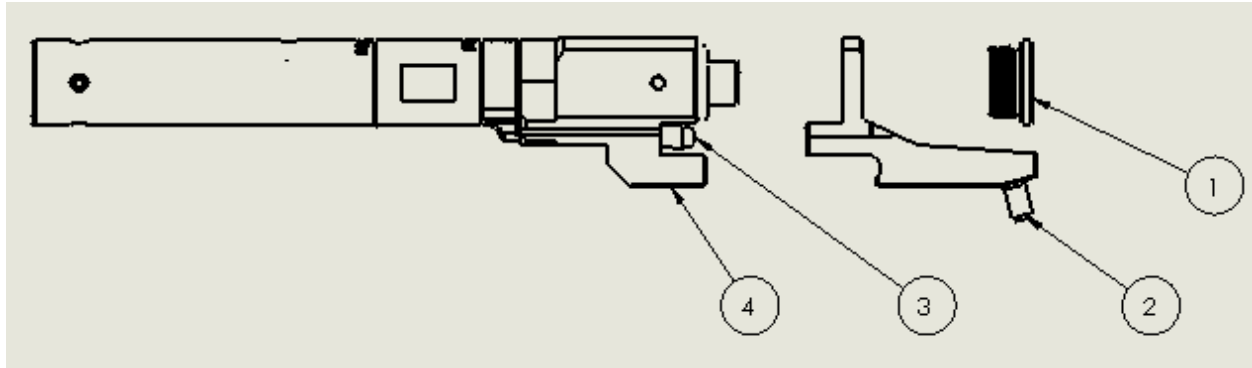


Figure 1: Recoil Kit Assembly

ITEM NO.	DESCRIPTION
1	Tailpiece Fastener
2	Tailpiece
3	Air Tube
4	Barrel Assembly

Table 1: Recoil Kit Components

II. OPERATION INSTRUCTIONS

A. RECOIL KIT INSTALLATION

CAUTION: Before proceeding, make sure the firearm is unloaded and safe.

Field strip the firearm according to the manufacturer's instructions. Place the factory barrel in a safe spot. Install the recoil kit into the P320 as shown below.

- Need



Figure 2: Kit Components

B. BEFORE USE/LUBRICATION

Lubricate the weapon following normal manufacturer instructions using approved lubricant.

Approved Lubricants Include

- Slip 2000
- Lucas Oil Extreme Duty Gun Oil

See repair/maintenance manual for more specific instructions.

C. MAGAZINE

The CO2 magazine is refillable via the VirTra CO2 Refill Station and the table clamp refill nozzle. For the refill station, simply place the CO2 magazine into the corresponding guide block and insert into the station. For the table clamp nozzle, simply push the magazine onto the nozzle until the magazine is full.

Do not store pressurized CO2 magazines overnight. Make sure to expel any gas at the end of the day by following this procedure:

- Fire the weapon until there is not enough pressure to cycle the slide.
- Take the magazine out and insert a depressurization tool.
- Wait 30 seconds to allow any frozen CO2 to thaw and insert the depressurization tool again.

D. DISASSEMBLY

Follow the steps outlined in 'Recoil Kit Installation' in reverse to remove the VirTra Recoil Kit and install factory components.

III. CONTACT VIRTRA

For any questions or additional help with any part of this manual, please contact VirTra via the information below.

VirTra Service Department

VirTra

295 E. Corporate Place
Chandler, AZ 85225 USA

Office: 1.480.508.5977
Email: service@virtra.com

