

VirTra

V-TLR-7A OPERATION MANUAL



COPYRIGHT / TRADEMARKS

No part of this publication may be reproduced, transcribed, stored in a retrieval system, translated into any language, or transmitted in any form or by any means, electronic, mechanical, magnetic, optical, chemical, photocopying, manual, or otherwise, without prior written permission from VirTra Inc. Product names used in this manual are ascribed to their respective owners and acknowledged.

DISCLAIMER

This manual is intended to be used as a practical and informative guide only and is not to be used as legal authority for any purpose. Specific legal authority comes exclusively from statute and case law. VirTra Inc. shall not be liable for any incidental or consequential damage resulting from the performance or use of this product. In the interest of continued product improvement, we reserve the right to revise, modify or alter the contents of this manual at any time without notice and without obligation to notify any person of such revision or changes.

VirTra disclaims liability for any injury to persons or to property, or other damages of any nature whatsoever, whether special, indirect, consequential, or compensatory, directly, or indirectly resulting from the publication, use of, or reliance on this manual. VirTra also makes no guarantee or warranty as to the accuracy or completeness of any information published herein.

CAUTIONS AND WARNINGS

Read, understand, and follow all warnings, training materials, and safety instructions for the V-TLR-7A weapon-mounted flashlight.

CAUTION: CLASS **3R** LASER, PRODUCT, LASER RADIATION. **DO NOT** stare into beam or view directly with optical instruments.

WARNING: Strobe mode may cause seizures in individuals with epilepsy.

The installation procedures described below are to be performed by trained personnel. Any procedures not covered in this user manual are considered Factory Maintenance & Repair and it is required that the item be sent to VirTra for repair.

TABLE OF CONTENTS

| | | |
|------|--------------------------------------|---|
| I. | INSTALLATION | 4 |
| A. | RAIL KEY INSTALLATION | 4 |
| B. | RAIL KEY REMOVAL | 4 |
| C. | FLASHLIGHT MOUNTING / REMOVAL..... | 5 |
| D. | BATTERY INSTALLATION / REMOVAL | 5 |
| II. | OPERATION INSTRUCTIONS..... | 6 |
| A. | SWITCH OPERATION..... | 6 |
| B. | STROBE OPERATION | 7 |
| III. | MAINTENANCE | 7 |
| A. | CLEANING..... | 7 |
| IV. | CONTACT VIRTRA..... | 7 |

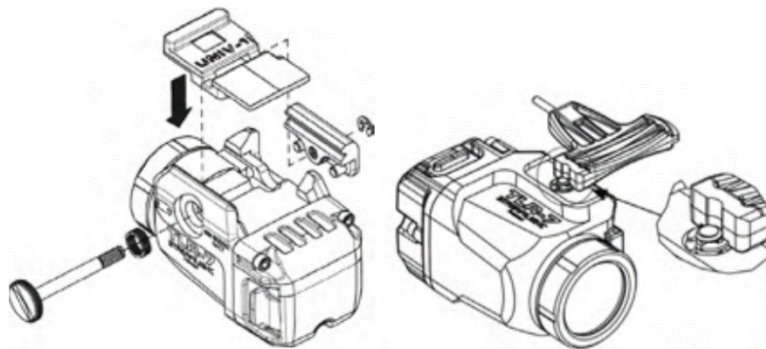
I. INSTALLATION

A. RAIL KEY INSTALLATION

The V-TLR-7 is shipped with a rail key installed and a variety of other keys included. If the key installed does not work for your weapon, select a key that will attach the flashlight to the weapon securely.

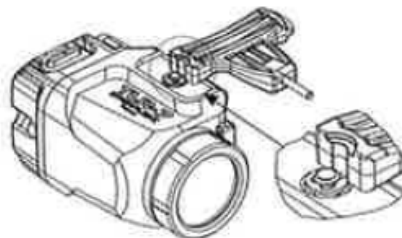
A key **MUST** be used or the light will slide off the rail under recoil.

- Unscrew the rail clamp tension bolt and remove it completely. The tension spring must stay with the rail clamp tension bolt.
- Place the key into the slot between the movable portion of the rail clamp and the fixed side. The key is fitted properly when the rail clamp tension bolt can be installed.
- Insert the rail clamp tension bolt through the fixed side of the rail clamp, through the key and tighten into the movable side of the clamp.
- Tighten the rail clamp tension bolt fully against the fixed side of the rail clamp.
- Place the e-clip onto the moveable rail and align the open end with the groove in the threaded portion of the rail clamp tension bolt.
- Align the e-clip side of the multi-tool with the pin facing towards the switch and push the tool until the e-clip snaps into place.



B. RAIL KEY REMOVAL

- Fully tighten the rail clamp tension bolt.
- The e-clip will become accessible on the end of the rail clamp tension bolt.
- Align the e-clip side of the multi-tool with the pin facing towards the lens and apply pressure to free the e-clip from the rail clamp tension bolt. The tool must push against the open end of the e-clip.
- Unscrew the rail clamp tension bolt and remove it completely. The tension spring must stay with the rail clamp tension bolt.

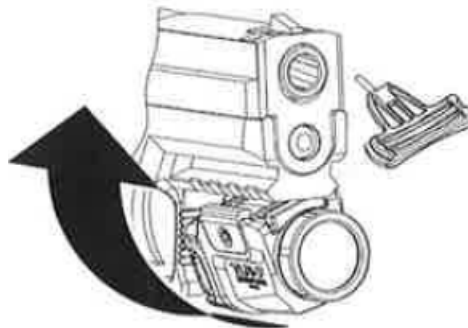


C. FLASHLIGHT MOUNTING / REMOVAL

CAUTION: Before proceeding, make sure the firearm is unloaded and safe

- The V-TLR-7A is designed to be quickly attached or detached from the side of the weapon or accessory rail.
- Loosen the rail clamp tension bolt.
- Angle the V-TLR-7A, placing the fixed portion of the rail clamp against the accessory rail and align the rail key with the appropriate cross groove in the accessory rail.
- Depress the rail clamp tension bolt to open the rail clamp, rotate the V-TLR-7A into place and release the pressure on the tension bolt to snap the light in place.
- Check for fit and tighten rail clamp tension bolt until the V-TLR-7A is securely attached to the firearm.

Note: The driver feature of the multi-tool opposite the e-clip feature may be used to obtain sufficient tightness. A coin may also be used. **Do not over tighten.**



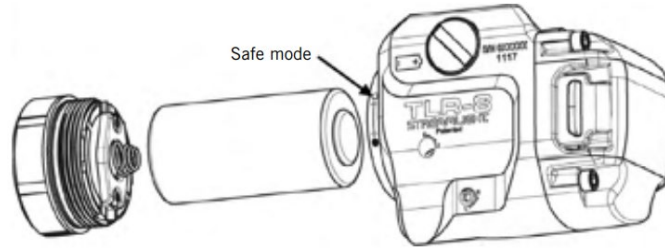
D. BATTERY INSTALLATION / REMOVAL

The V-TLR-7A utilizes one CR123A battery. Battery life is approximately 20 hours. At the end of battery life, the switch may appear intermittent or non-functional. Replacing the battery will restore normal operation.

On the right and left side of the end cap near the buttons, there are holes that will show two LED indications. GREEN indicates the power is ON and battery level is good. RED indicates the power is ON and battery level is low (~20% life left).

To replace the battery:

- Unscrew and remove the facecap assembly from the body of the V-TLR-7A. Remove the exhausted battery from the flashlight body.
- Insert a fresh CR123A battery, positive end first, into the body of the V-TLR-7A. Battery polarity is indicated on the side of the V-TLR-7A body.
- Place the facecap assembly onto the V-TLR-7A body. Fully tighten the facecap assembly to be sure that the battery makes complete contact with the internal electrical contacts.
- For “safe” mode, loosen the facecap approximately ¼ turn to the detent. The light/laser will not turn on when either button is pressed and the battery is disconnected.



II. OPERATION INSTRUCTIONS

A. SWITCH OPERATION

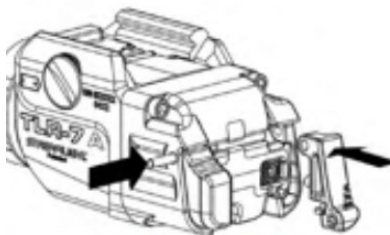
The V-TLR-7A features ambidextrous side and rear switches. It provides momentary or constant activation.

There are two indicators that show the V-TLR-7A is powered ON. First, the end cap where light would normally shine out will have a subtle white light glow. The other is on the sides of the end cap near the buttons that shows two LED indicators. Green indicates the power is ON and battery level is good. Red means the power is ON but the battery is low.

- A tap on either switch turns the unit on or off.
- Press and hold either switch for momentary activation of the unit.
- **NOTE:** The V-TLR-7A will not operate if the facecap is in safe mode.



TLR-7[®] A LOW Tail Switch



Switch Replacement

The V-TLR-7A has two versions of tail switches available depending on use grip preference. The LOW switch set presents the rear switches lower on either side of the trigger guard, while the HIGH switch set presents the rear switch higher up on either side of the trigger guard.

The LOW and HIGH tail switches are interchangeable by using the push pin feature on the multi-tool to press the retaining pin clear of the paddles on one side and then the other.

B. STROBE OPERATION

The V-TLR-7A ships from the factory with the strobe mode disabled. To enable strobe, starting from the “Off” position, tap either switch very rapidly 9 times (within ¼ second per tap) and hold down on the 10th time. Hold the switch until the light turns off (about one second), which indicates reprogramming was successful. Repeat the procedure above to disable strobe mode.

The strobe mode can be activated by either switch. Within ¼ second, press either switch, release and immediately re-press for strobe.

III. MAINTENANCE

A. CLEANING

The V-TLR-7A rail clamp tension bolt requires an application of high-quality gun oil to keep it rust free. Use a soft cloth to clean the glass LED lens and keep it free of dirt and grime. A minimal amount of mild detergent may be used, but all liquids must be kept out of the laser housing.

Always avoid aggressive cleaning solutions as they may cause damage.

IV. CONTACT VIRTRA

For any questions or additional help with any part of this manual, please contact VirTra via the information below.

VirTra Service Department

VirTra

295 E. Corporate PI
Chandler, AZ 85225 USA

Office: 1.480.508.5977
Email: service@virtra.com

